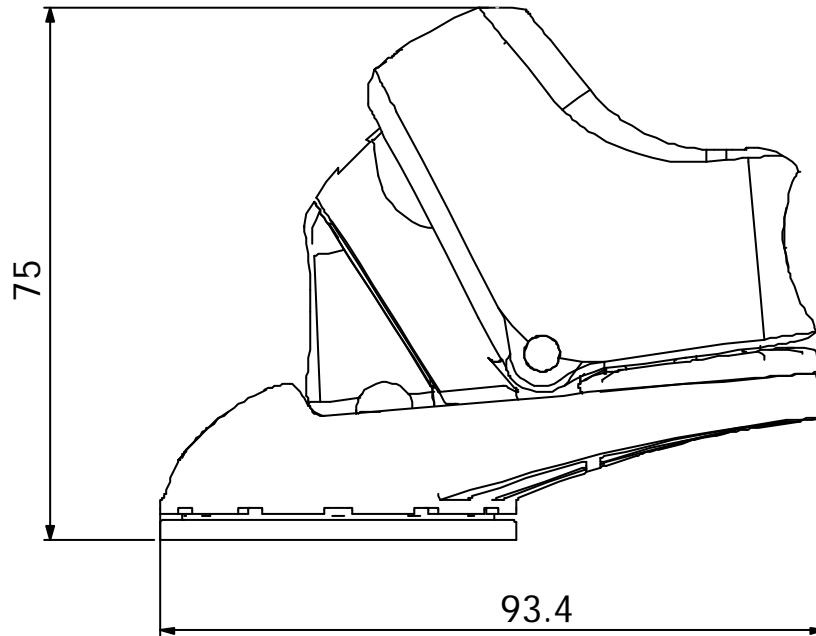
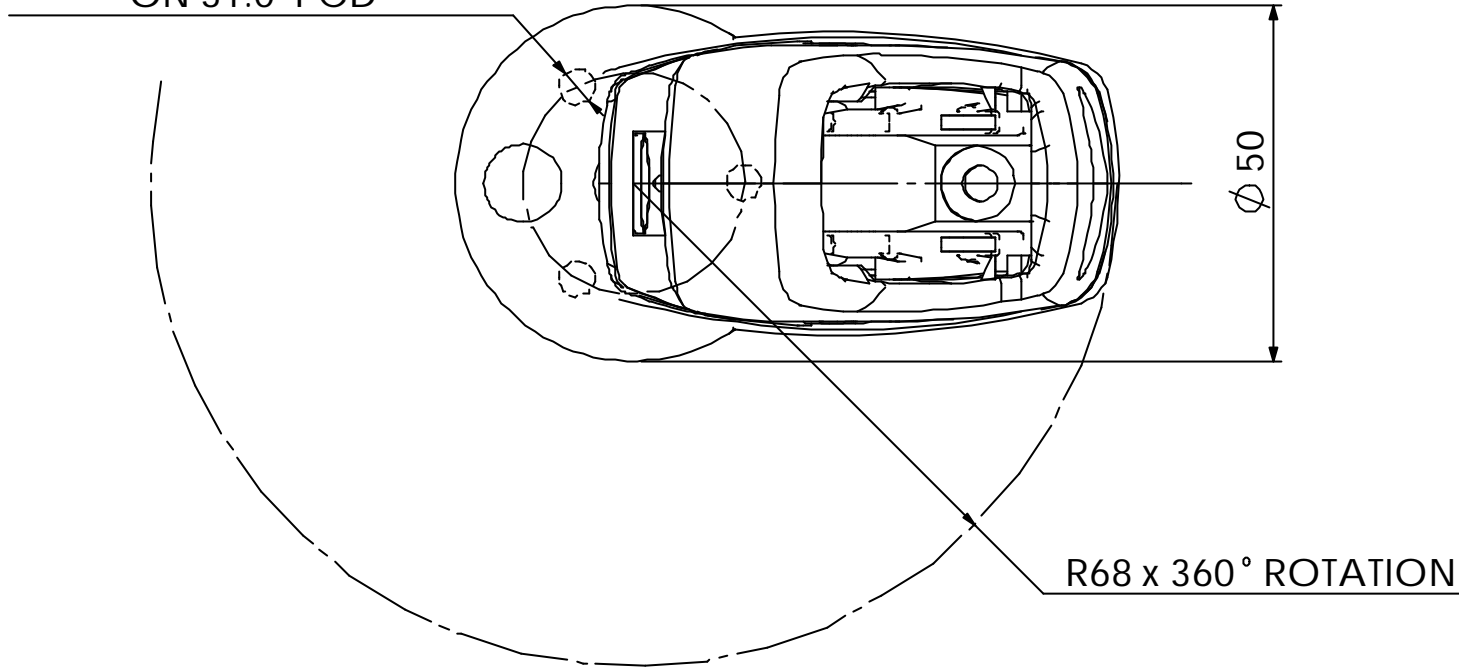


3 HOLES M5 EQUISPACED
ON 31.0 PCD



spinlock
SPINLOCK REFERENCE PX0812/SW
SCALE ALL DIMENSIONS IN mm
RECOMENDED FASTENERS 3 x M5 CSK (3 x 3/16")