

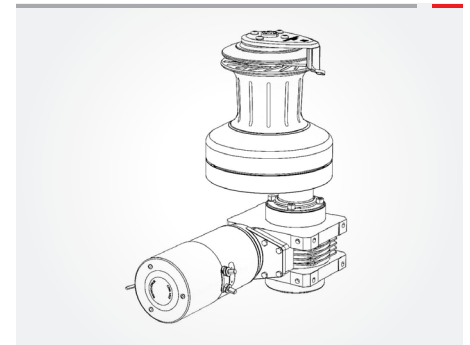
58 ST E1

2 speed manual, 1 speed electric, 12VDC

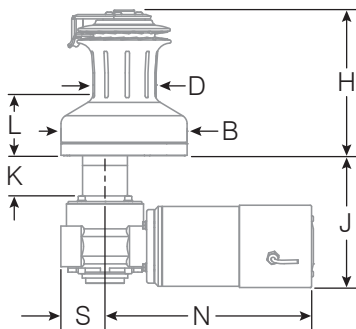
Andersen Powered Winch: RA2058011300, RA2058001300
 58 ST E1 - Self tailing, E1 electric motor,
 2 speed manual, 1 speed electric, 12VDC

Product Information:

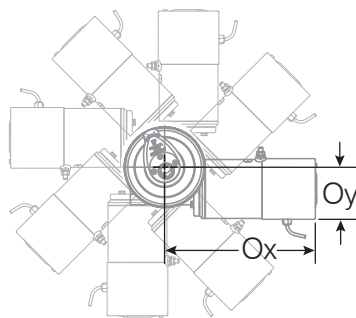
Power Ratio 1st speed = 16.0:1, 2nd speed = 57.1:1
 Gear Ratio 1st speed = 3.7:1, 2nd speed = 13.1:1
 Maximum Working Load 1500kg (3310lb)



Physical Dimensions:



Rope Size..... 8-18mm (5/16 - 5/8")
 Drum Ø D.....115mm (4 1/2")
 Base Ø B.....230mm (9 1/16")
 Height H..... 266mm (10 1/2")
 Line Entry L122mm (4 13/16")*
 Max Deck K..... 41mm (1 5/8")
 Gear Length S..... 75mm (2 15/16")
 Motor Depth J..... 213mm (8 3/8")
 Motor Length N 384mm (15 1/8")
 Weight 35kg (77.1lb)

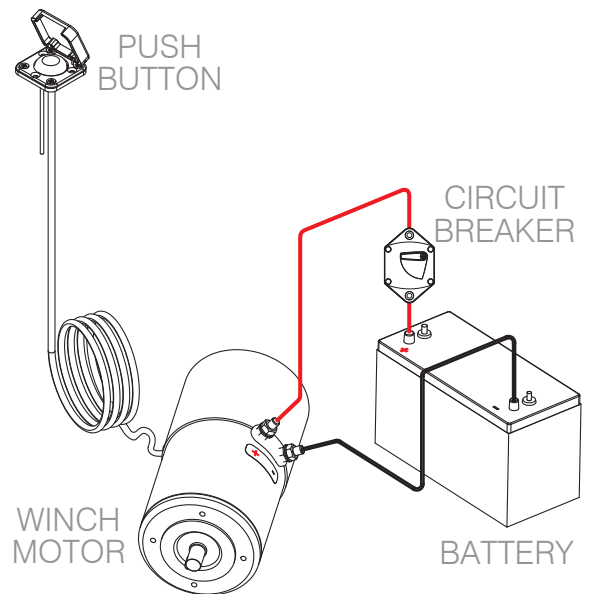


MOTOR OFFSET
 Minimum Ox.....334mm (13 3/16")^
 Oy.....180mm (7 1/16")^
 Minimum Oy.....121mm (4 3/4")^
 Ox.....370mm (14 9/16")^

* Extensions available to suit thicker decks.
 ^ Values with motor in optimum position to minimise Ox or Oy. Oy value includes allowance for push button cable and fitting on the motor housing. Motor can be rotated at 45° intervals which will change Ox and Oy values.

Full installation dimensions can be found in the Product Manuals - available to download at www.andersenwinches.com.

Wiring Diagram:



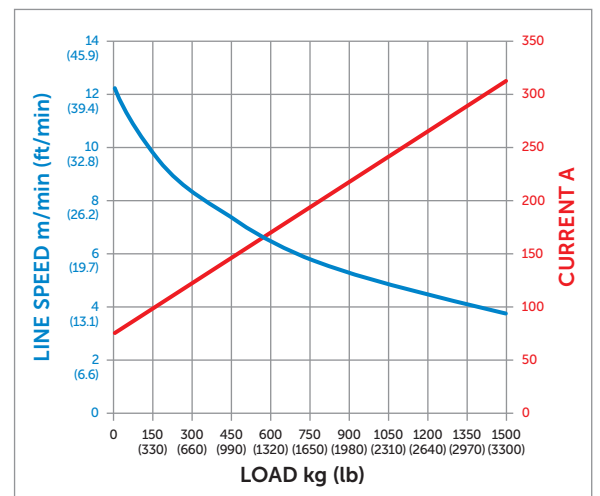
Motor units are supplied with installation manual, push button and cable terminals. Circuit breaker available separately. See motor unit product manual for push button to motor unit cable connection details.

Electrical Installation:

WIRE LENGTH ¹	WIRE SIZE	FUSE or CIRCUIT BREAKER ²	START-UP MOTOR CURRENT ³	ADDITIONAL BATTERY CAPACITY PER WINCH ⁴	MINIMUM BATTERY BANK CAPACITY ⁵
0-3m (0-10ft)	70mm ²	200A	700A	45Ah	400Ah
3-8m (10-27ft)	95mm ²				

- Wire length = length from battery to motor.
- Must be a 'slow blow' or 'long delay' type to allow for start-up current spike. Suitable circuit breakers available separately.
- The current "spike" generated at motor start-up, for a period of no more than 0.1 seconds.
- This is the minimum additional Ah (Ampere hours) battery capacity that will be required to run one winch. Assuming a single winch, used for of 15 minutes (0.25hr) per day at a load of 1/2 MWL = 145A. This equates to an Ah figure of 36Ah. The number of Ah for all other electrical equipment
- This is the minimum recommended battery bank capacity to ensure minimum 10.5V is maintained in 12V systems, and 21V in 24V systems at start up current. Based upon battery CCA value at -18C and assuming fully charged batteries and no losses in wiring and connections.

Performance:



The motor will cut-out at pre-determined current and temperature limits.