



Trusted for **Life**™

FastFind 220 Personal Locator Beacon

A lifesaving distress beacon with buoyancy pouch included, designed for marine enthusiasts and adventurers.



www.mcmurdogroup.com

FastFind 220

The FastFind 220 Personal Locator Beacon (PLB) uses advanced technology packed into a simple, lightweight, palm sized unit. Using the dedicated 406MHz frequency, FastFind 220 transmits your unique ID and precise GPS location to the global network of search and rescue satellites.

Within minutes rescuers are alerted to your situation, and receive regular position updates. Finally, emergency services can home in on your beacon's 121.5MHz transmission to find you.

Explore the world with peace of mind. If you find yourself in a remote area without any other form of communication, activating your FastFind 220 will summon emergency assistance.

Features

- Floats with buoyancy pouch
- GPS
- No subscription
- 6 year battery life
- Waterproof to 10m
- SOS morse LED flash light
- Safe-stow antenna



Once activated, FastFind 220 transmits two signals simultaneously

406Mhz Professional global emergency service

121.5Mhz Homing signal to speed up local recovery

FastFind 220 could save your life!

FastFind gives you:

- Mini size, MIGHTY emergency signal
- Simple design, easy to use
- Self test both the battery and GPS
- Worldwide network of suppliers and service dealers
- Peace of mind to take your next step into adventure!

FastFind 220 has worldwide coverage and ensures you are rescued by professionals



How the end-to-end satellite-based SAR Ecosystem works

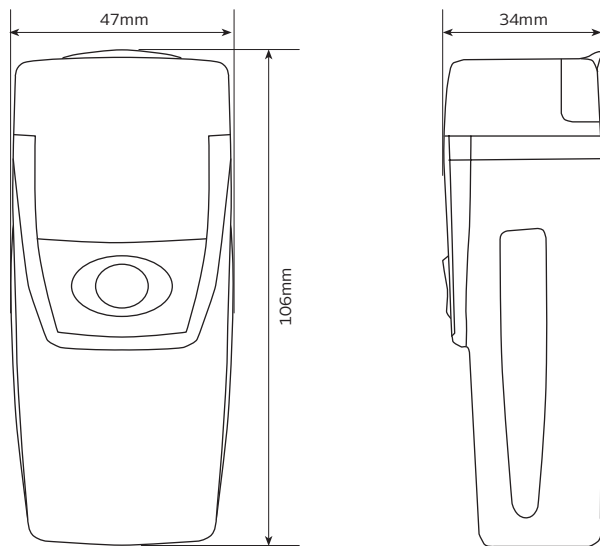
- 1 A **beacon** distress signal is sent from aircraft, marine vessel or individual
- 2 Beacon positioning/location data is relayed by satellite communications to satellite ground stations or Local User Terminals (LUTs)
- 3 The **Local User Terminal** computes the location before sending alerts to the appropriate Mission Control Centers (MCC)
- 4 The **Mission Control Center** collects, stores and sorts the data received from LUTs and other MCCs and distributes alerts to associated Rescue Coordination Centers (RCC)
- 5 The **Rescue Coordination Center** notifies and coordinates emergency response/rescue teams

* Items in red are supplied by McMurdo Group



FastFind 220 PLB Specifications

Standards	Cospas-Sarsat T.001/T.007 class2, RTCM SC110 STD 11010.2, ETSI EN 302-152-1, AS/NZS 4280.2, NSS-PLB06
Sealing depth	Immersion to 10m (30ft) for 5 mins
Operating temperature	-20 to +55°C (-4 to +131°F)
Storage temperature	-30 to +70°C (-22 to +158°F)
Altitude	12,192m (40,000ft)
Buoyancy	Category 2, will not float (keep in buoyancy pouch provided)
Battery type	Lithium metal
Transmit duration	> 35 hours @ +10°C (50°F), > 24 hours @ -20°C (-4°F)
Battery life (storage)	6 years
Battery replacement	Service center
Battery Use	Logged by microprocessor
Frequency	406.037MHz (alert) / 121.5MHz (homer)
Power	> 5W (alert) / > 50mW (homer) nominal
Unique ID Number	Factory or dealer programmed
GPS Type	50 channel, ceramic patch antenna
Size (D x W x L)	34 x 47 x 106mm (1.34 x 1.85 x 4.17in)
Weight	152g (5.4oz)
Indicator Light	High brightness LED signal light
SOS flash light	Morse code SOS flash pattern, 30 operations
Activation	Manual, three stage
Self-test	Tests transmitters, battery and light



Trusted for Life™

McMurdo Inc. USA, 4296 Forbes Blvd. Lanham, MD 20706
Toll Free – 1-844-MCMURDO (1-844-626-8736) Local – 1-240-790-0619
sales.americas@mcmurdogroup.com

Contact your McMurdo representative today, and find out why McMurdo is
The Most Trusted Name in Emergency Readiness and Response.

www.mcmurdogroup.com