

# OPTOLAMP®

New technology in signalization

## “DIGITAL SIRIUS LX PLUS” BI-DIMENSIONAL LIGHT 4 IN 1

ULTRA LOW CONSUMPTION ELECTRONIC LED LAMP - UBC®  
PAT.DEP.

Thank you for choosing **OPTOLAMP®**. The development of the new compact model “*SIRIUS LX Plus*” is the result of 12 years experience in LED signalization. The **OPTOLAMP®** can achieve an excellent luminosity and penetration intensity even in the most adverse weather conditions. Due to its Ultra-Low energy Consumption (**UBC®**) the **OPTOLAMP®** can work 50 nights with a 12V/75A battery without being recharged, approximate time without calculating the normal battery discharge.

**CONNECTION TO THE BATTERY:** (The **OPTOLAMP®** will take some seconds to switch on).

**RED WIRE** \_\_\_\_\_ **POSITIVE** (For power source use 0,75mm to 1,5mm wires).

**BLACK WIRE** \_\_\_\_\_ **NEGATIVE** (Protected against polarity inversion).

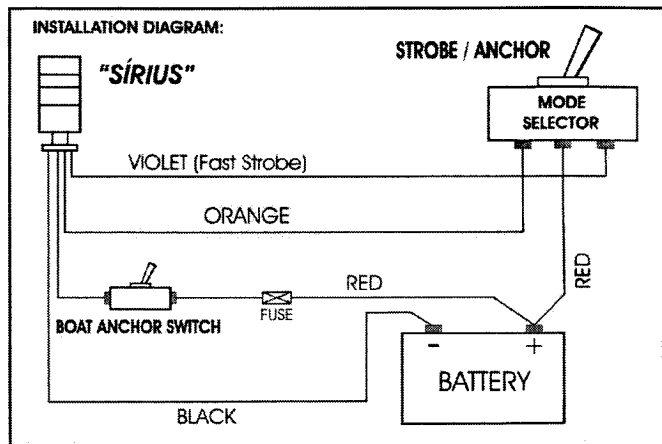
**(!) Automatic light sensor:** to test, cover it with a dark cloth.

**MODE SELECTION WIRES:** (Do not connect these wires to the battery!)

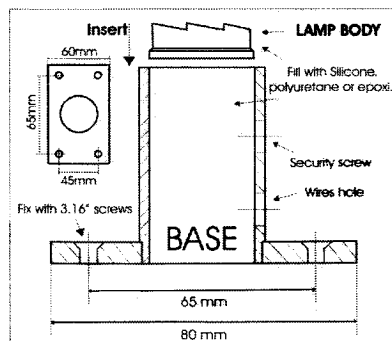
**STROBE:** Let the orange and purple wires free. (Insulate the wires!).

**ANCHOR LIGHT:** Join the orange and red wires (+). (Keep the purple wire free).

**FAST STROBE:** Join the purple and red wires (+). (Keep the orange wire free).



### BASE INSTALLATION:



- 1) Install with the lens upwards. See “**Base Installation**”.
- 2) Install the **OPTOLAMP®** PERPENDICULARLY to the water line.
- 3) It is advisable to install a 500mA (0,5 A) fuse.

**(!) DISCONNECT** the **OPTOLAMP®** when working on the boat’s electric system to avoid tension peaks on the automatic switch on-off circuit (always in stand-by).

*Do not open the lamp. The **OPTOLAMP®** is a sealed unit, its led’s can be misaligned missing its precise illuminating effect and the correct angle.*

### CHARACTERISTICS: (IP56)

Weight _____	235gr.	Height: 135mm - Ø: 60mm.
Power Consumption in 12V- <b>UBC®</b> _____	0,126A to 0,145A.	Maintenance _____ Free.
Power Supply (OPTION: 24V) _____	10,6V to 14,4V.	Light Source _____ Electronic.
Horizontal Range: 2,0 NM - Vertical Range: up to 4,3NM.		Led B-life _____ 100000 h.

(HE Naval Systems reserves its rights to modify the characteristics of its products).

**OBS:** HE Naval Systems is not responsible for the misuse of the **OPTOLAMP®** and/or possible accidents.  
Please read the conditions of the “**HE Warranty**”.

**Pioneer in Ultra Low Consumption (UBC®) Signalization and Illumination since 1998**  
**HE Naval Systems**, www.optolamp.com // E-mail: optolamp@optolamp.com.br