

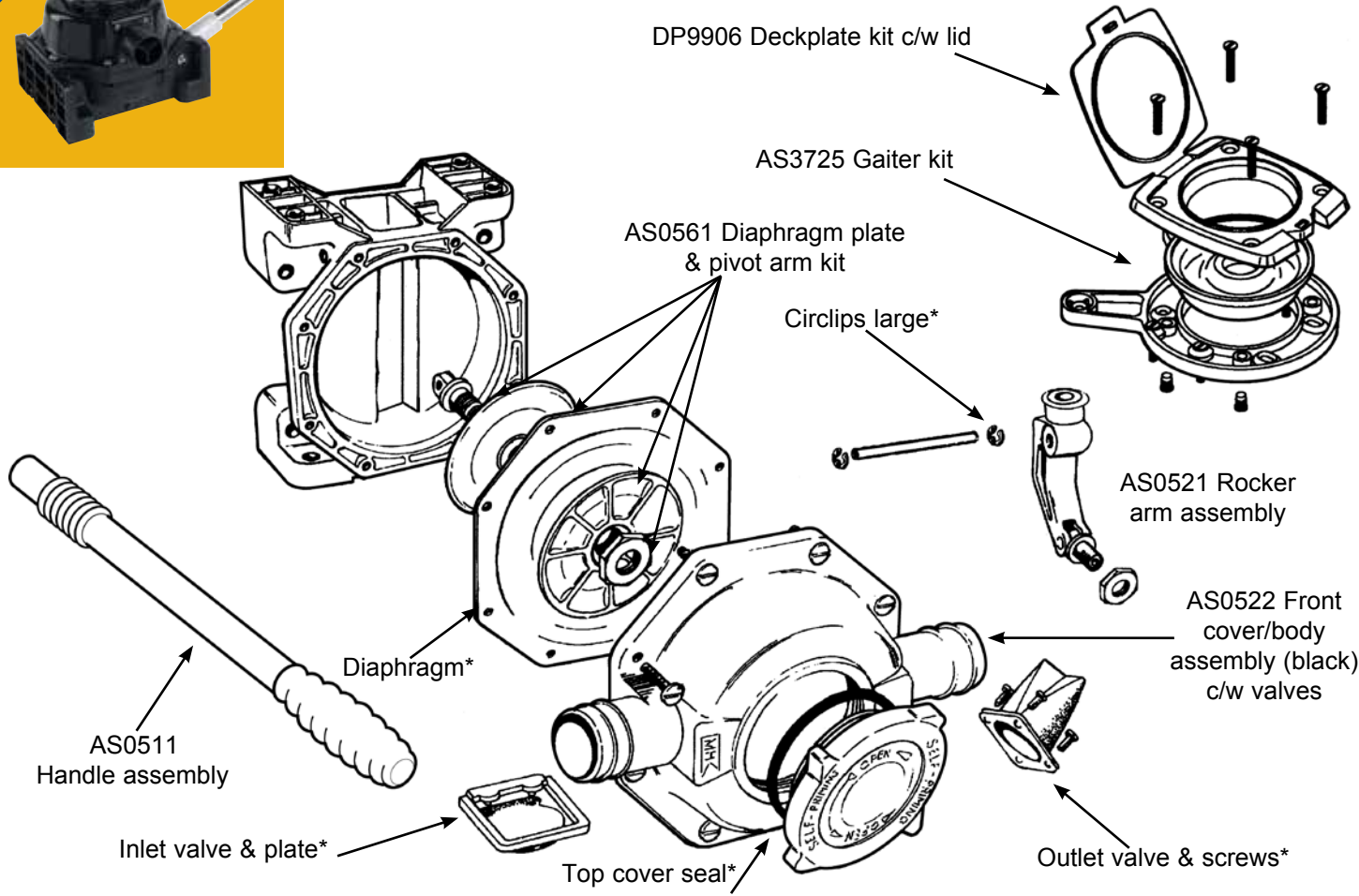


Manual Bilge Pumps

Mk 5 Universal Pump

BP0510/MH0510** - Bilge and Waste Water Transfer Pump

Note* Contained in Service Kit AK8050. **Note**** MH0510 is now discontinued



Note: Same Service Kits apply to Mk 5 Universal Henderson model

Accessories

- DP9906 Deckplate Kit (includes cover)**
- AS0511 Spare Handle**
- AS3725 Gaiter Kit for Deckplates**
- Qty** **Containing**
- 1 Gaiter (for plastic or metal deckplates)
- 1 O-ring (for metal deckplate G10 & G30 only)
- YP6114 1 1/2" Y Piece**
- EB33488 1 1/2" Elbow**
- LV1215 1" / 1 1/2" Non Return Valve**
- SF5425 1 1/2" Skin Fitting**

Service Kits

- AK8050 Service Kit with Complete Set of Serviceable Parts for Mk 5 Universal Pump**
- Qty** **Containing**
- 1 Inlet valve plate
- 1 Inlet valve
- 2 Valve screw long
- 1 Top cover seal
- 1 Diaphragm
- 1 Outlet valve
- 2 Valve screw long
- 2 Circlip large
- 2 Circlip small
- 8 Screw M5x25
- 8 Nut M5



DP9906



AK8050



AS0511



AS0521



Manual Bilge Pumps

Mk 5 Universal Pump

BP0510/MH0510** - Bilge and Waste Water Transfer Pump

Note** MH0510 is now discontinued



AS0561



AS0522



AS3725



EB3488



LV1215



SF5425



YP6114

Service Kits (Continued)

AS0521 Rocker Arm Assembly

Qty	Containing
1	Rocker arm
1	Pivot arm
1	Rocker arm nut
1	Pivot pin
1	Hinge pin
2	Circlip large
2	Circlip small

AS0561 Diaphragm Plate & Pivot Arm Kit

Qty	Containing
1	Pivot arm
2	Diaphragm plate
1	Rocker arm nut
2	Circlip small

AS0522 Front Cover/ Body Assembly (black) c/w Valves

Qty	Containing
1	Top cover
1	Front cover/body (black)
1	Inlet valve plate
1	Inlet valve
2	Valve screw short
1	Top cover seal
8	Assembly screw
1	Outlet valve
2	Valve screw long