



## INSTALLATION AND OPERATION MANUAL

### Whale Gulley IC Grey Waste Accessory



Included in Whale Grey IC Retail Kit



Available to boat builders only (not included in Whale Grey IC Retail Kit)

**NOTE: Suitable for use with Gulper® IC Pump only**

#### INSTALLATION & USER INSTRUCTIONS

Thank you for purchasing this Whale product. For over 70 years, Whale has led the way in the design and manufacture of freshwater and waste systems including: pumps, plumbing, faucets and showers for low voltage applications. The company and its products have built a reputation for quality, reliability and innovation backed up by excellent customer service. For information on our full range of products visit [www.whalepumps.com](http://www.whalepumps.com)

#### 1. SPECIFICATION

Model	Small Gulley IC		Large Gulley IC	
Product Code	SG3482B	SG3484B	SG1982B	SG1984B
Cable Length	2m (6ft)	4m (12ft)	2m (6ft)	4m (12ft)
Hose Connections	19mm (3/4") / 25mm (1")			
Control Voltage	5V dc via Gulper® IC Pump			
Current Draw	Low power 6 mA supply			
Connectors	Deutsch® Connectors: Quick Connect Series 7 ways (directly onto Gulper® IC)			

#### 2. PRINCIPLES OF OPERATION

**IC – Intelligent Control Technology-** At the heart of every Whale IC® product lies innovative electronic control circuitry built in. This enables IC sensor accessories to communicate directly with IC pumps to control their performance. These accessories send signals to built-in intelligent software which then control the pumps to react as required.

**Gulley IC** - Single outlet shower drain gully with intelligent control built in. Must be used with Gulper® IC. The Gulley IC is connected to a Gulper® IC. When the gully senses water it sends an electrical signal to Gulper® IC which evacuates the system. As the water level decreases the electrical signal transmitted by the gully will cease. Gulper® IC will continue to operate for a further 15 seconds before switching off.

#### 3. TO THE USER

Please read the following carefully before use.

#### 4. TO THE FITTER

Check that the product is suitable for the intended application, follow these installation instructions and ensure all relevant personnel read the points listed below. Also ensure that these operating instructions are passed on to the end user.

**WARNING:** Please note that incorrect installation may invalidate the warranty.

#### 5. APPLICATION

Gulley IC is a single outlet shower drain solution and has intelligent control built in. It must be operated by a 12 / 24V Gulper® IC unit only. Electronic sensors automatically control grey waste level when connected to a pre wired connection to Gulper® IC via fitted deutsch connectors. Due to remote mounting, the pump receives signals from Gulley IC and switches on and off automatically.

## 6. WARNINGS

1. For use in a grey waste water system only.
2. Ensure the non return valve is fitted as this prevents any leakback from the pipework. Leakback of waste water will cause the Gulper® IC to reactivate.
3. Gulley IC is designed for installation in marine vessels only. If it is intended for use for any other purpose or with any other liquid, it is the user's responsibility to ensure that the unit is suitable for the intended use and, in particular, that the materials are fully compatible with the liquids to be used. The Whale Gulley IC is **NOT** suitable for domestic applications.
4. With all applications, it is important that a system of safe working practice is applied to installation, use and maintenance. Ensure the electric supply is turned off.



Please contact Whale Support team for any further technical advice +44 (0)28 9127 0531 or email [info@whalepumps.com](mailto:info@whalepumps.com)

## 7. PARTS LIST

Qty 1	Gulley IC	Qty 1	22mm to ¾" BSP Push Fit Adapter (SG3482 only)
Qty 1	Non Return Valve	Qty 1	Cable Grip
Qty 1	No 8 x 25mm Self Tapping Screw		

## 8. INSTALLATION

This Gulley IC is designed for use with Gulper® IC to be installed in recreational marine vessels in the following application:

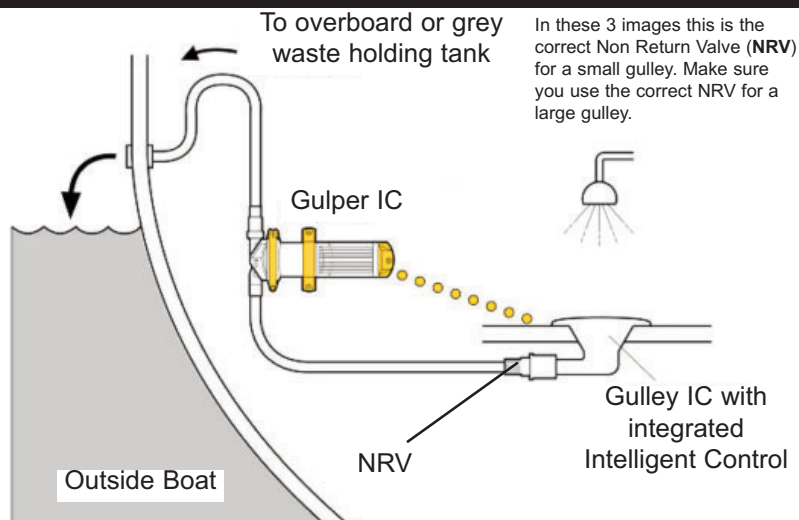


Fig 1 Typical Installation in a grey application – utilising a 12V/24V Gulper® IC

### Mounting Instructions

- The recommended mounting arrangement is for Gulper® IC to be located at a lower level than Gulley IC. However, the pump can operate satisfactorily when mounted at a higher point (Fig 2)

**NOTE:** Maximum suction lift = 3m (10ft)

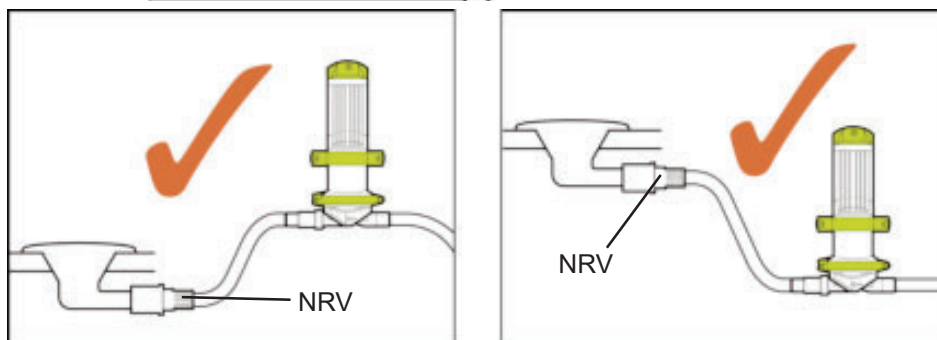


Fig 2 Gulley IC location relative to Gulper IC

### Small Gulley IC

- Ensure non-return valve is fitted to Gulley IC outlet.
- Secure hose to non return valve fitted to Gulley IC outlet.
- Gulley IC is mounted from the underside of the shower tray.

**NOTE.** Ensure that the rubber washer is fitted to the underside with the ribbed surface facing upwards (Fig 3).

- Use silicone sealant on the seal surface to ensure a water tight seal.
- Secure Gulley IC by screwing the threaded fitting from above.
- Fit the gulley cover into the sockets and push down to secure (See Fig 4).

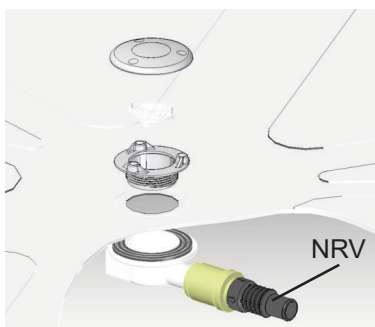


Fig. 3 Small Gulley IC Installation

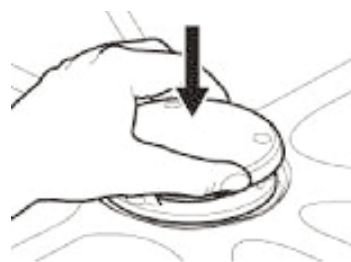


Fig. 4 Fitting Gulley IC cover

## Large Gulley IC

Note: Large Gulley IC is mounted from the top side of the shower tray.

- Bring hose through opening in shower tray and securely attach to the NRV housing (Fig 5).
- Apply a continuous bead of Silicone sealant to the underside of the Gulley IC flange.
- Use appropriate fixers to attach Gulley IC to the shower tray.

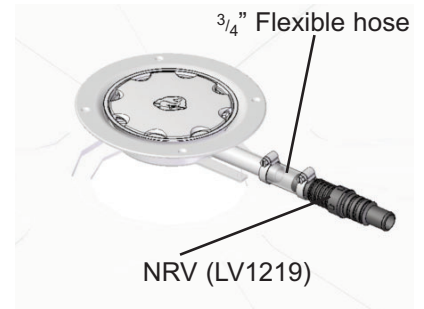


Fig. 5 Large Gulley IC Installation

## Electrical Wiring

- For installation with Gulper® IC use pre-wired Deutsch connectors attached.
- If you are not familiar with applicable electrical standards, ensure that the unit is installed by a qualified electrician/technician.

**WARNING:** Fire hazard. Wiring must comply with applicable electrical standards and include a properly sized fuse or circuit breaker (12V d.c. system – 10 Amp Automotive Fuse, 24V d.c. system – 5 Amp Automotive Fuse).

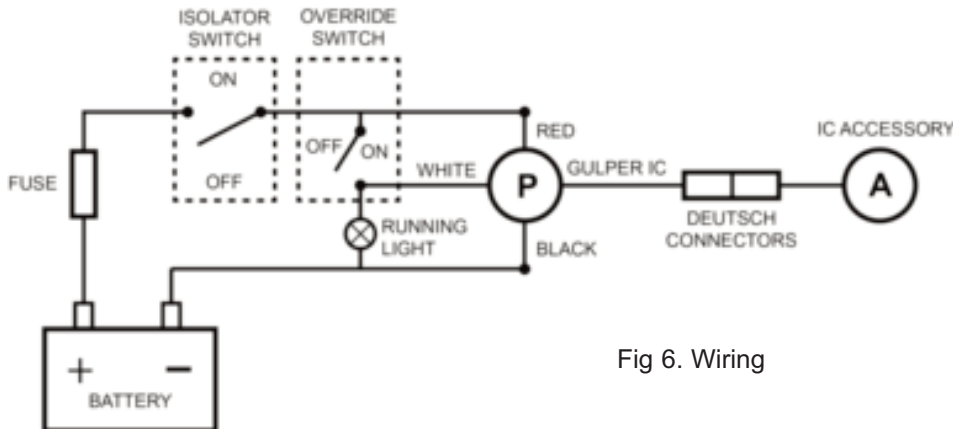


Fig 6. Wiring

**WARNING:** Improper wiring can cause a fire resulting in injury or death.

**NOTE:** Switch off the power prior to making connections.

Suggested wiring information is given as a guide only. For full information, refer to the USCG, ABYC and ISO regulations for marine applications and wiring gauges, connectors and fuse protection.

## Connect switching cable

If a switching cable must be fitted through the bulkhead, ensure a minimum hole diameter 25mm (1") is drilled (Fig 7). Then connect the pre-wired Deutsch connectors on Gulper® IC and Gulley IC (Fig 8).

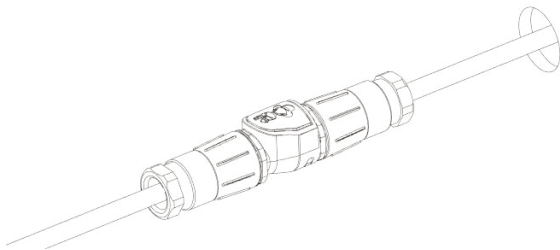


Fig 7 Connecting switching cable through bulkhead

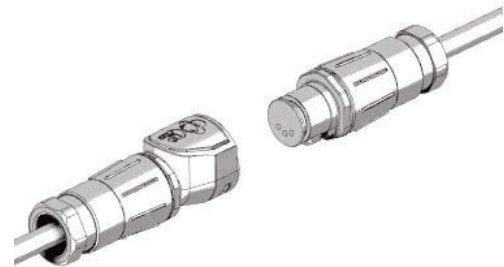


Fig 8 Connect Deutsch Connectors

## 9. INSTRUCTIONS FOR USE

Following installation of the pump system switch on shower and or sink to run grey waste through the Gulley IC and check that the pump is operating and the water is draining away.

The Gulley IC is an automatic application, therefore ensure that the power supply is ON.

## 10. MAINTENANCE

This Gulley IC is designed to only require minimal maintenance. **WARNING:** Before servicing, drain water from system.

### Optimal Performance

Ensure this product is cleaned at regular intervals. Remove cap, lift out grid with tabs and wipe inside wall with damp cloth.

### Annual Checks

Whale advise that the boat's plumbing system is checked annually for leaks and obstructions. Also a pump electric's check is advisable.

## 11. WINTERISING

**NOTE:** Winterizing - Fully drain system.

Whale® cannot guarantee warranty if the system is not fully drained for winterizing.

## 12. TROUBLESHOOTING

PROBLEM	POSSIBLE CAUSES	POTENTIAL SOLUTION
Gulper® IC fails to operate	The Gulley IC may need cleaned.	Carefully remove the lid and clean the inside walls Note: Large Gulley IC only - remove cap and wipe surface underneath centre hole.
	Gulley IC wiring fault	Check electrical connections. Visually inspect wiring
Water fails to drain away or drains away slowly	Gulper® IC failure	Refer to Gulper® IC instruction manual
	Blockage within Hose	Clear blockage
	Build up of debris in Gulley IC	Remove the Gulley IC lid then grate using the two pull tabs Clean put the inside of the Gulley IC using a damp cloth. Remove any debris from the grate and replace the grate and lid.
Gulper® IC continually activates	Non Return Valve on Gulley IC is leaking	Remove Gulley IC and check non-return valve for foreign body. Replace Non Return Valve if necessary
	Gulley IC is faulty	Replace Gulley IC
	Build up of debris in Gulley IC	Remove the Gulley IC lid then grate using the two pull tabs Clean put the inside of the Gulley IC using a damp cloth. Remove any debris from the grate and replace the grate and lid.
Refer to Gulper® IC troubleshooting guide for further instructions		

## 13. EU DECLARATION OF CONFORMITY, STANDARDS, APPROVALS

This product complies with all relevant European directives and standards. Please contact Whale® if further details are required.

### Manufacturer's Declaration

We hereby declare, under our sole responsibility, that the enclosed equipment complies with the provisions of the following EC Directives.

94/25/EC amending 2003/44/EC  
2004/108/EC

Recreational Craft Directive  
EMC directive

CE mark affixed: 03/06/10

### Basis on which conformity is declared

EN55022: 2006 + A1:2007      EMC Radiated Emissions  
EN55014-1:2006 + A1:2009      EMC Conducted Disturbance Power  
EN55014-2:1997+ A2:2008      EMC Immunity



Position- Engineering Director

### Standards applied

EN28846:1993      Ignition Protection  
ISO 10133: 2000      Extra-low Voltage d.c. Installations  
EN60335-1:2002      Safety of household and similar electrical appliances.  
EN60335-2-41:2003      Particular requirements for pumps.

## 14. PATENTS/TRADEMARKS

Whale®, Gulper®, Whale IC® and IC Device are registered trademarks of Munster Simms Engineering limited trading as Whale.

## 15. WARRANTY STATEMENT

This Whale® product is covered by 3 year warranty. Please see enclosed document for details of our Statement of Limited Warranty.

©Copyright Whale 2019 - All rights reserved. Reproduction in whole or in part without permission is prohibited. WHALE®, is a registered trademark of Munster Simms Engineering Limited, Bangor, Northern Ireland trading as Whale. Whale's policy is one of continuous improvement and we reserve the right to change specifications without prior notice. Illustrations are for guidance purposes only.

Neither the accuracy nor completeness of the information contained in this or any product literature is guaranteed by the Company and may be subject to change at its sole discretion.